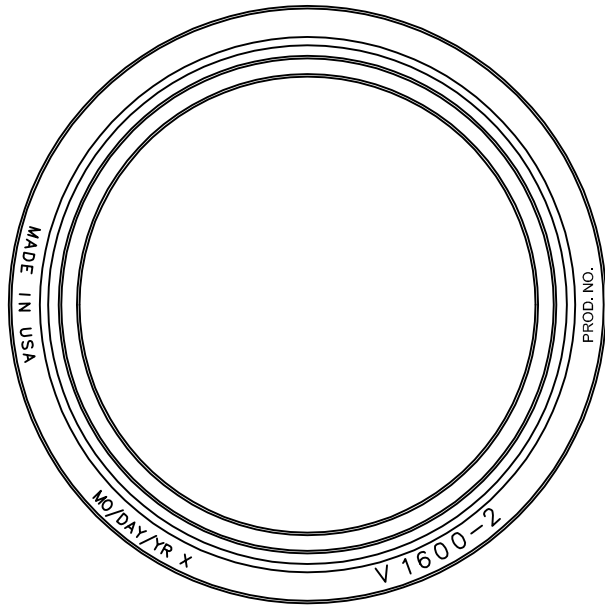
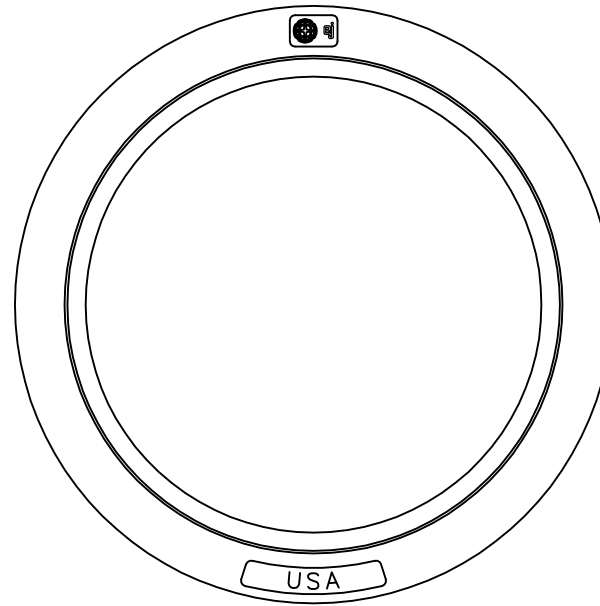


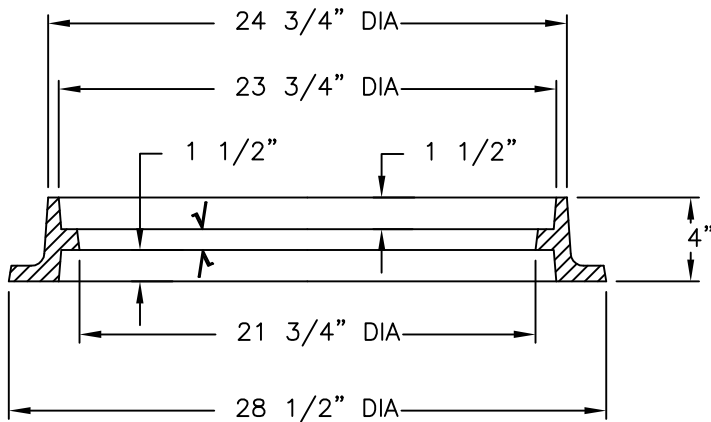
# V1600-2 Frame



RING BOTTOM FLANGE VIEW



RING TOP FLANGE VIEW



RING SECTION

NOTE: FRAME IS REVERSIBLE.  
WHEN ORDERING, SPECIFY TOP FLANGE  
OR BOTTOM FLANGE

**Product Number**

41600210

**Design Features**

- Materials  
Gray Iron (CL35B)
- Design Load  
Heavy Duty
- Open Area  
n/a
- Coating  
Undipped
- √ Designates Machined Surface

**Certification**

- ASTM A48
- 
- 
- Country of Origin: USA

**Drawing Revision**

02/23/2011 Designer: JIJ  
9/3/2014 Revised By: DAE

**Disclaimer**

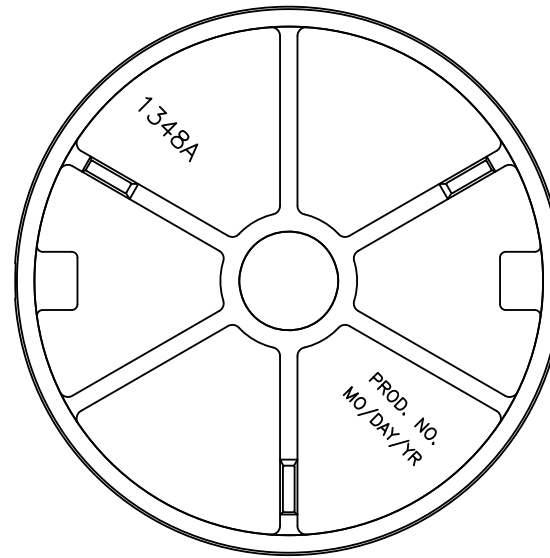
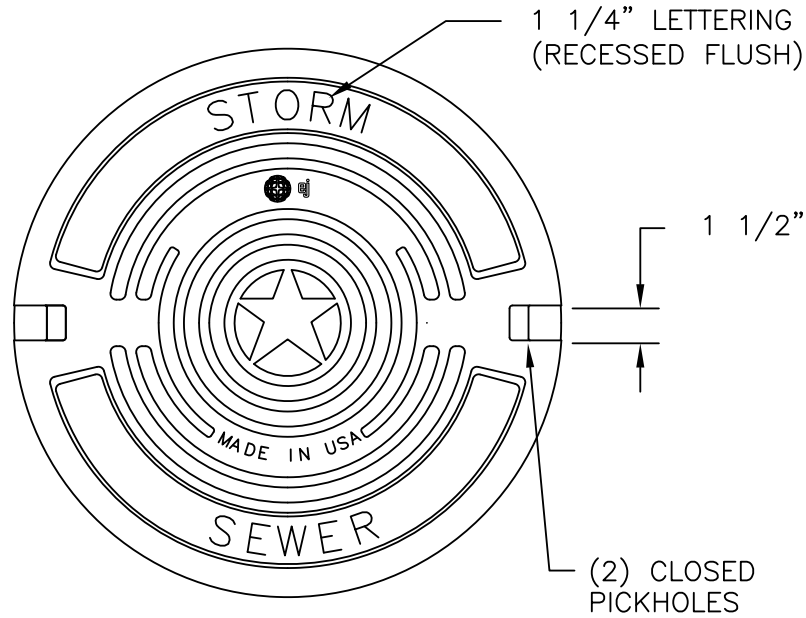
Weights (lbs./kg) dimensions (inches/mm) and drawings provided for your guidance. We reserve the right to modify specifications without prior notice.

CONFIDENTIAL: This drawing is the property of EJ GROUP, Inc., and embodies confidential information, registered marks, patents, trade secret information, and/or know how that is the property of EJ GROUP, Inc. Copyright © 2012 EJ GROUP, Inc. All rights reserved.

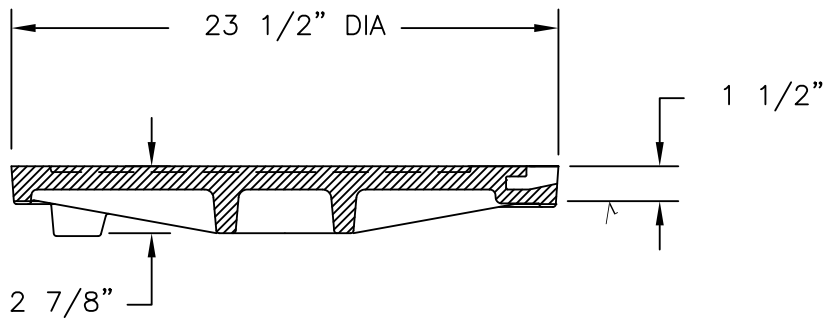
**Contact**

800 626 4653  
ejco.com

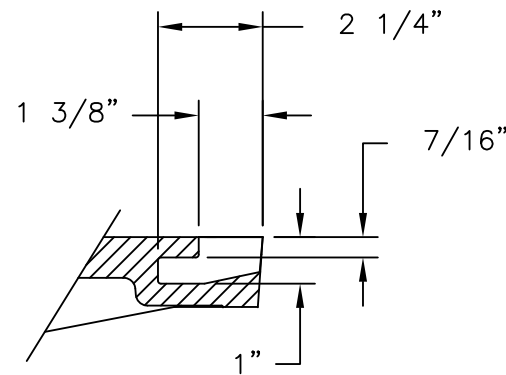
# 1348A Cover



**BOTTOM VIEW**



**COVER SECTION**



**PICKHOLE DETAIL**

**Product Number**

00134851

**Design Features**

- Materials  
Gray Iron (CL35B)
- Design Load  
Heavy Duty
- Open Area  
n/a
- Coating  
Undipped
- √ Designates Machined Surface

**Certification**

- ASTM A48
- 
- 
- Country of Origin:USA

**Drawing Revision**

06/28/2001 Designer: DEW  
08/08/2013 Revised By: DVD

**Disclaimer**

Weights (lbs./kg) dimensions (inches/mm) and drawings provided for your guidance. We reserve the right to modify specifications without prior notice.

CONFIDENTIAL: This drawing is the property of EJ GROUP, Inc., and embodies confidential information, registered marks, patents, trade secret information, and/or know how that is the property of EJ GROUP, Inc. Copyright © 2012 EJ GROUP, Inc. All rights reserved.

**Contact**

800 626 4653  
ejco.com